

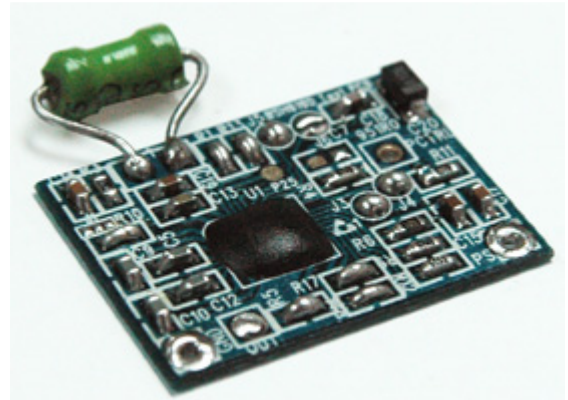
# SPARK TECHNOLOGY LIMITED

Tel : (852) 2646-2239 Fax : (852) 2646-0280  
Address: Unit 1806, 18/F, Technology Park, 18 On Lai Street,  
Siu Lek Yuen, Shatin, N.T., Hong Kong  
Website : <http://www.spark-hk.com> Email : sales@spark-hk.com

## SPT0007 – Heart Rate Receiver Module (Preliminary 1.0)

### ● DESCRIPTION

SPT0007 is a heart rate receiver module for chest belt which operate in 5.0KHz – 5.3KHz (Polar Compatible). This module can be easily interface with MCU by a standard input port. The SPT0007 consists of a ST188, low frequency AM receiver IC with a high Q antenna bar to provide good reception. All modules are well calibrated to make sure no extra work you should make during the production.



### ● FEATURES

- Convenient to use
- Built-in ferrite antenna
- High Sensitivity
- Fully RoHS compliant

### ● APPLICATIONS

- Heart Rate Monitor

### ● TECHNICAL SPECIFICATIONS

Parameter	Specification
Operating Voltage	2.4V ~ 3.0V
Sensitivity	1 meter
Setup Time	50us
Current consumption (Standby)	<1uA
Current consumption (Operating)	<120uA
Operating temperature	0°C ~ +50°C

### ● PIN DESCRIPTION

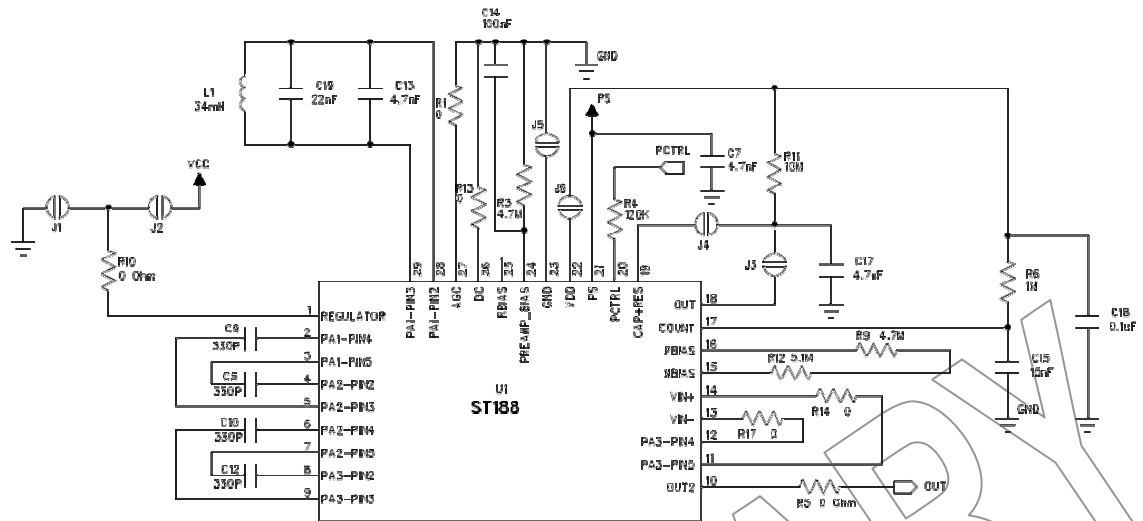
Pin	Name	I/O	Function
1	PS	Power	Supply voltage
2	GND	Power	Ground
3	OUT	O	Data output (Active High)
4	PCTRL	I	Power enable (Active Low)



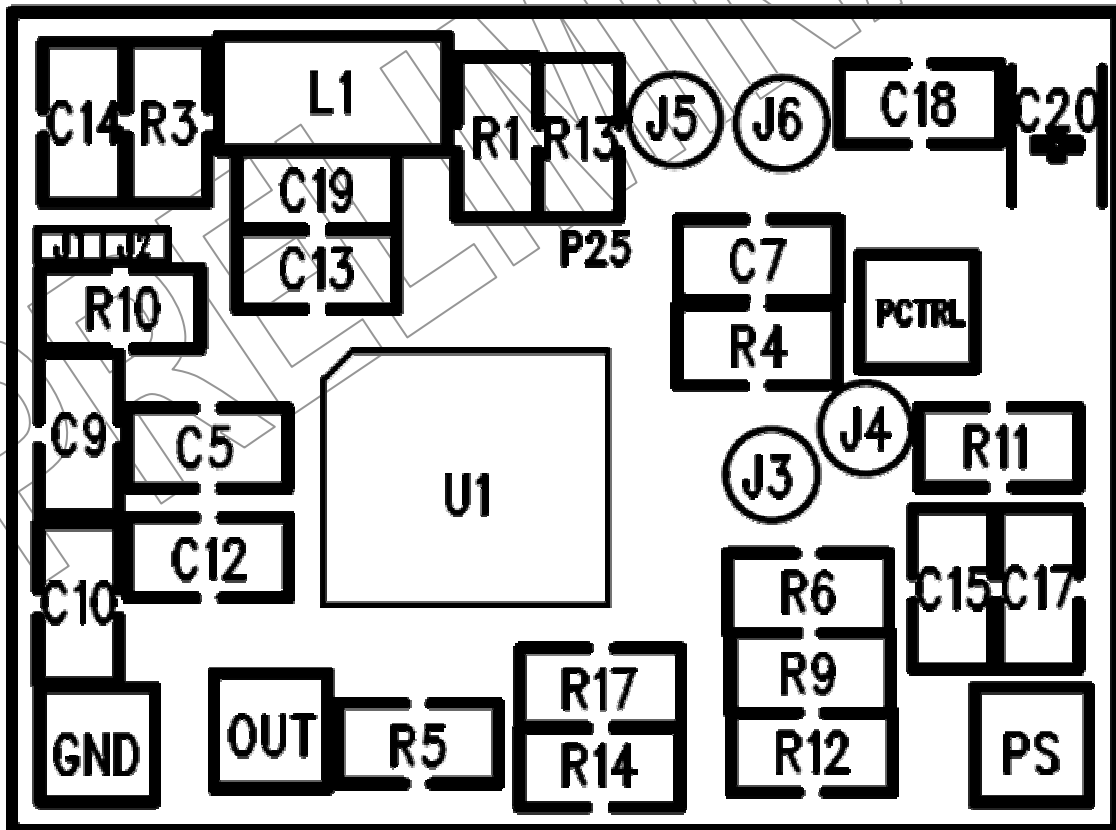
# SPARK TECHNOLOGY LIMITED

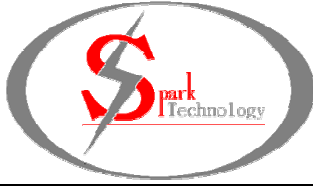
Tel : (852) 2646-2239 Fax : (852) 2646-0280  
 Address: Unit 1806, 18/F, Technology Park, 18 On Lai Street,  
 Siu Lek Yuen, Shatin, N.T., Hong Kong  
 Website : <http://www.spark-hk.com> Email : sales@spark-hk.com

- APPLICATION CIRCUIT



- Top Silkscreen of SPT0007





## SPARK TECHNOLOGY LIMITED

Tel : (852) 2646-2239 Fax : (852) 2646-0280

Address: Unit 1806, 18/F, Technology Park, 18 On Lai Street,

Siu Lek Yuen, Shatin, N.T., Hong Kong

Website : <http://www.spark-hk.com>

Email : [sales@spark-hk.com](mailto:sales@spark-hk.com)

---

### ● CONTACT INFORMATION

SPARK TECHNOLOGY LIMITED

世發科技有限公司

Email : [sales@spark-hk.com](mailto:sales@spark-hk.com)

Tel : (852) 2646-2239

Fax : (852) 2646-0280

Address : Unit 1806, 18/F, Technology Park, 18 On Lai Street,  
Siu Lek Yuen, Shatin, N.T., Hong Kong

Website : <http://www.spark-hk.com>